



JUNGHANS

GERMANY. SINCE 1861

max bill

**wand- und tischuhren
wall and table clocks**

JUNGHANS - DIE DEUTSCHE UHR

JUNGHANS - THE GERMAN WATCH

many congratulations on your purchase of a timepiece from junghans.

what began in 1861 with the founding of the firm in schramberg quickly developed into one of the most fascinating success stories of the german watchmaking industry. while since that time the demands made of watches may have changed, the junghans philosophy has always remained the same. innovative flair and the constant pursuit of precision right down to the smallest detail define how the company works and thinks. you can see and sense this in every watch that carries the junghans name. for as diverse as the junghans range may be, it pursues one single goal: to combine traditional craftsmanship with cutting-edge watch technology and exciting design. that makes every watch with the junghans star unique.

we hope you will enjoy this very special time-keeping instrument.

yours,
uhrenfabrik junghans gmbh & co. kg

content

max bill – architect of time	17
A. general information for all max bill clocks	18
B. quartz calibre J738	19
C. radio controlled calibre J780	20
D. operational capability	22
E. technical data	22

max bill – architect of time

max bill was one of the most unusual artists of our age. a true universal genius, he worked as a painter, sculptor, architect and designer, leaving behind an extensive body of work.

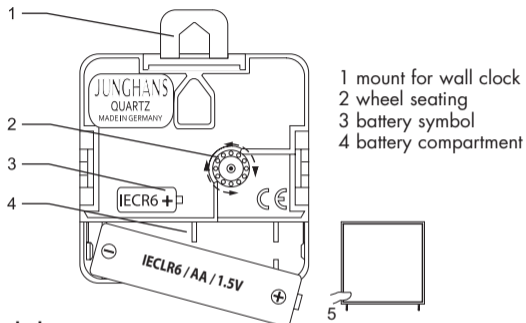
this includes one of the most fascinating watch and clock model series made, still produced in almost unchanged form today: the wall clocks and wristwatches that he developed for junghans. as a bauhaus pupil he knew how to interpret constructive clarity and precise proportions consistently in his work like almost no other.

A. general information for all max bill clocks

to keep the clock in an operable condition for as long as possible it should not be subjected to extreme temperatures and severe agitation. your clock is not water resistant and should therefore not come into contact with water. service work should be carried out by your junghans specialist. the clock can be cleaned using a dry or slightly damp cloth.

note: do not use chemical cleaning agents (e.g. benzine or paint thinners). this may damage the surface.

B. quartz calibre J738 operating elements and functions



start up

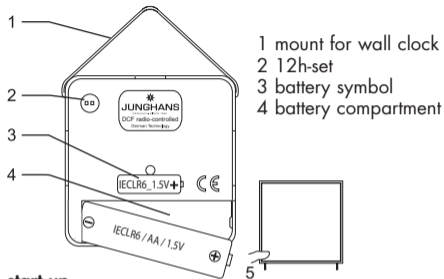
insert a 1.5V alkaline AA, LR6 battery into the battery compartment (4), with the correct polarity. note the battery symbol (3) on the movement for this.

to remove the case back of your max bill table clock press gently on the lower left corner (5) of the case back.

setting the time

rotate the wheel seating (2) to set the requested time.

C. radio controlled calibre J780 operating elements and functions



start up

insert a 1.5V alkaline AA, LR6 battery into the battery compartment (4), with the correct polarity. note the battery symbol (3) on the movement for this. to remove the case back of your max bill table clock press gently on the lower left corner (5) of the case back. time synchronisation commences with insertion of the battery. the hands move to the 4:00, 8:00 or 12:00 position and the reception phase with the DCF 77 transmitter commences. after a few minutes under optimal reception conditions the exact time is set. if your radio controlled clock is unable to receive a time signal, it will make further attempts at synchronisation every two hours.

time signal reception

before making a conclusive choice of position it is advisable to first test the reception conditions at the preferred location.

to test these, insert the battery as described in start up and place your junghans radio controlled clock in the preferred location. if no time signal is received after a few minutes, change the location. to restart synchronisation remove the battery for at least 2 minutes and then insert it again as described under the start up directions.

recommendation: to ensure the best possible reception conditions for the automatic time synchronisation the junghans radio controlled clock should not be positioned in the vicinity of electrical devices such as televisions or cordless telephones, where possible.

automatic time synchronisation

automatic time synchronisation occurs every 2 hours. summer and winter times are taken into consideration. if the attempt at reception does not result in clear time synchronisation, your clock will continue to run with the highly-accurate 32 kHz quartz movement. the next possible successful reception will then result in time synchronisation.

12h-set (2)

the two contacts are to aid assembly of the hands by a clockmaker. if you accidentally touch the two contacts with a metallic object, the hands will move to the 12 o'clock position and remain there. to get the clock moving again remove the battery for at least 2 minutes and then insert it again as described under the start up instructions.

D. operational capability

to ensure that your junghans clock is always ready for operation you should take care to ensure that it has sufficient energy. if the battery does not have sufficient energy to display the correct time, please replace this as soon as possible.

there should be a lapse of at least 2 minutes between removal and insertion of a functioning battery.

please ensure appropriate disposal of the battery, in keeping with statutory regulations.

E. technical data

J738 quartz movement

battery type	1,5V alkaline AA, LR6
typical lifetime	2 years
operating temperature	0°C to 50°C

J780 radio controlled movement

received transmitter	DCF 77,5 (Europe)
battery type	1,5V alkaline AA, LR6
typical lifetime	> 1 year
operating temperature	0°C to 50°C
setting time with undisturbed reception (DCF)	approx. 3 minutes
switch from CET to CEST and reverse	automatic
time comparison with time signal transmitter	every 2 hours

free of charge and ftz – approved
subject to technical alterations

declaration of conformity

Uhrenfabrik Junghans GmbH & Co. KG hereby declares that this clock corresponds to the underlying specifications and other relevant regulations of directive 1999/5/EC.

a corresponding declaration of conformity can be requested at info@junghans.de.

Uhrenfabrik Junghans GmbH & Co. KG
Postfach 100 · D-78701 Schramberg
www.junghans.de · information@junghans.de

42.712-0564 / 0917