

COLLECTION

ARTHUR JUNGHANS



Contents

Page

Instructions for use	5
Ambassador automatic Calibre J800.1	6
Archimedes automatic Calibre J800.1	
Attaché automatic Calibre J800.1	
Pilot automatic Calibre J800.1	
Ambassador power reserve Calibre J810.2	8
Attaché Agenda Calibre J810.5	10
Ambassador calendar function Calibre J800.2	13
Ambassador chronoscope Calibre J880.1	16
Archimedes chronoscope Calibre J880.1	
Attaché chronoscope Calibre J880.2	
Pilot chronoscope Calibre J880.1	
Water resistance	19
General information	20

”By the work one knows the workman.”

JEAN DE LA FONTAINE

Congratulations on purchasing a timepiece from the ‘Arthur Junghans’ collection.

The models in this collection of watches are all exclusively fitted with mechanical movements, thus creating a link back to the company’s origins. The look of today’s collection picks up on the values of traditional watchmaking, giving these a contemporary interpretation.

Each model’s glass base makes the intricate artistry of the top quality watchmaker’s handiwork clearly visible. The movements are precision made and decorated in a special, traditional Junghans style. Given a stripe finish, they act as a reminder of the old masters.

We hope you will get great pleasure from this wonderful time-keeping instrument.

Yours,

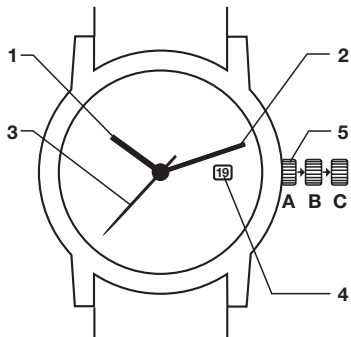
Junghans Uhren GmbH

Instructions for use

Winding up the watch (applicable for all calibres)

With the winder in the winding up position (position A), you can wind up the automatic movement manually. Just 2 or 3 turns are sufficient to start the movement going. It is better to wind it up fully, as this ensures that it will run with maximum accuracy and that its power reserve (even after the watch is put down) will last for the maximum period. If your model has a screw-locked winder, this must be unscrewed by turning it to the left to start your watch going. After you have set your watch, you should wear it, so that the automatic winding system (via rotor movement) keeps it constantly operational.

Features and functions Calibre J 800.1



- 1 Hour hand
- 2 Minute hand
- 3 Second hand
- 4 Date display
- 5 Winder

Setting the time

Pull the winder into position C. That stops the watch movement. To set your watch accurately to the second, it is best to stop the movement as the second hand is passing the figure 60. You can now position the minute hand precisely in line with the relevant minute marker and set the desired time. Press the winder back into position A to start the second hand.

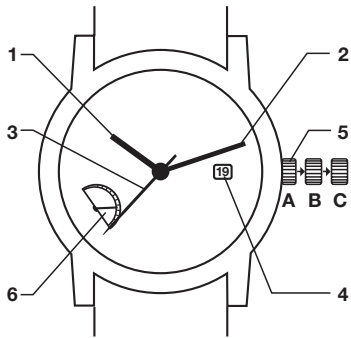
Setting the date

Pull the winder into position B. You can now set the date by turning it to the right. Do not make any changes to the date between 8pm and 3am, as the date is automatically advanced by the movement during this period and you could damage the date advance mechanism. If the month has less than 31 days, you have to set the date manually to the first day of the following month.

Technical information

Mechanical 3-hand movement with date display
Calibre J800.1
Automatic winding mechanism with ball-bearing
25 jewels
28,800 semi-vibrations per hour
38 hour power reserve
Anti-magnetic to DIN 8309
Shockproof: Incabloc
Spring: Nivarox II
Balance: Gold-plated nickel

Features and functions Calibre J 810.2



- 1 Hour hand
- 2 Minute hand
- 3 Second hand
- 4 Date display
- 5 Winder
- 6 Power reserve display

Setting the time

Pull the winder into position C. That stops the watch movement. To set your watch accurately to the second, it is best to stop the movement as the second hand is passing the figure 60. You can now position the minute hand precisely in line with the relevant minute marker and set the desired time. Press the winder back into position A to start the second hand.

Setting the date

Pull the winder into position B. You can now set the date by turning it to the right. Do not make any changes to the date between 8pm and 3am, as the date is automatically advanced by the movement during this period and you could damage the date advance mechanism. If the month has less than 31 days, you have to set the date manually to the first day of the following month.

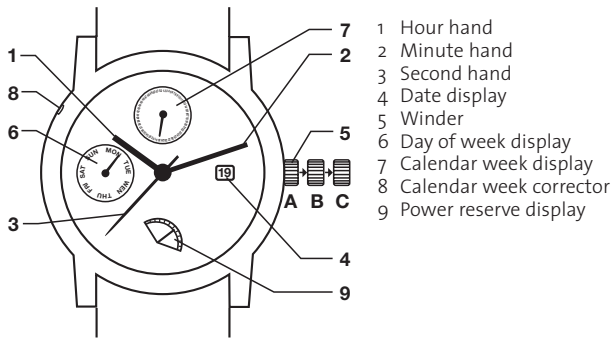
Power reserve display

The power reserve display tells you how much time is left until the watch will stop.

Technical information

Mechanical 3-hand movement with date and power reserve display
Calibre J810.2
Automatic winding mechanism with ball-bearing
21 jewels
28,800 semi-vibrations per hour
42 hour power reserve
Anti-magnetic to DIN 8309
Shockproof: Incabloc
Spring: Nivarox II
Balance: Gold-plated nickel

Features and functions Calibre J 810.5



Setting the time

Pull the winder into position C. That stops the watch movement. To set your watch accurately to the second, it is best to stop the movement as the second hand is passing the figure 60. You can now position the minute hand precisely in line with the relevant minute marker and set the desired time. Press the winder back into position A to start the second hand.

Setting the date

Pull the winder into position B. You can now set the date by turning it to the right. Do not make any changes to the date between 8pm and 3am, as the date is automatically advanced by the movement during this period and you could damage the date advance mechanism. If the month has less than 31 days, you have to set the date manually to the first day of the following month.

Setting the day of the week

Pull the winder into position C. This stops the movement. By turning the winder you can now move the hour and minute hands. Turn the winder until the weekday you want is displayed. You can turn the winder in either direction.

Setting the calendar week

To set this, press the calendar week corrector (8) with a pointed object (e.g. a pencil) until the calendar week you want is displayed.

Power reserve display

The power reserve display tells you how much time is left until the watch will stop.

Technical information

Mechanical 3-hand movement with date, day of week, calendar week and power reserve display

Calibre J810.5

Automatic winding mechanism with ball-bearing

28 jewels

28,800 semi-vibrations per hour

42 hour power reserve

Anti-magnetic to DIN 8309

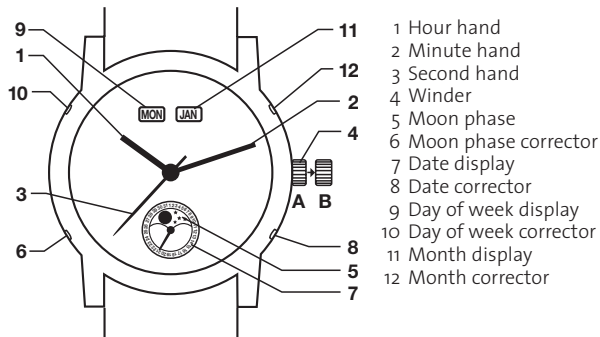
Shockproof: Incabloc

Spring: Nivarox II

Balance: Gold-plated nickel

Features and functions

Calibre J 800.2



Setting the time

Pull the winder into position B. That stops the watch movement. To set your watch accurately to the second, it is best to stop the movement as the second hand is passing the figure 60. You can now position the minute hand precisely in line with the relevant minute marker and set the desired time. Press the winder back into position A to start the second hand.

Setting the date

To set this, press the date corrector (8) with a pointed object (e.g. a pencil) until the date you want is displayed.

Setting the day of the week

To set this, press the day of week corrector (10) with a pointed object (e.g. a pencil) until the day of the week you want is displayed.

Setting the month

To set this, press the month corrector (12) with a pointed object (e.g. a pencil) until the month you want is displayed.

Setting the moon phase

To set this, press the moon phase corrector (6) with a pointed object (e.g. a pencil) until the moon phase you want is displayed. To set the moon phase accurately we recommend that you make this setting when there is a full moon.

Technical information

Mechanical 3-hand movement with date, day of week, month and moon phase display

Calibre J800.2

Automatic winding mechanism with ball-bearing

25 jewels

28,800 semi-vibrations per hour

40 to 44 hour power reserve

Anti-magnetic to DIN 8309

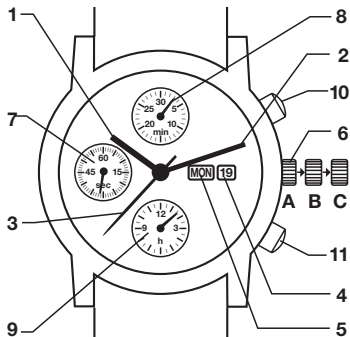
Shockproof: Incabloc

Spring: Nivarox II

Balance: Gold-plated nickel

Features and functions

Calibre J 880.1 / Calibre J 880.2



- 1 Hour hand
- 2 Minute hand
- 3 Chronograph hand
- 4 Date display
- 5 Day of week display
- 6 Winder
- 7 Seconds counter
- 8 Minute counter
- 9 Hour counter
- 10 Start-stop button
- 11 Reset button

Setting the time

Pull the winder into position C. That stops the watch movement. To set your watch accurately to the second, it is best to stop the movement as the second hand is passing the figure 60. You can now position the minute hand precisely in line with the relevant minute marker and set the desired time. Press the winder back into position A to start the second hand.

Setting the date and day of week

Pull the winder into position B. You can now set the date by turning it to the right and the day of the week by turning it to the left. **Do not make any changes to the date between 8pm and 3am, as the date is automatically advanced by the movement during this period and you could damage the date advance mechanism.**

If the month has less than 31 days, you have to set the date manually to the first day of the following month.

Using the chronoscope

Starting time measurement:

You start the chronoscope by pressing the start-stop button (10).

Stopping time measurement:

You stop the chronoscope by pressing the start-stop button (10) again.

Reset:

Press the reset button (11). This returns all three of the chronoscope hands to their starting position.

Adding measured times:

After measuring the first time, you can add times together by pressing the start-stop button again instead of the reset button. The chronoscope hands will then continue running from the stopped position.

Technical information

Mechanical 3-hand movement with chronoscope mechanism

Calibre J880.1 / Calibre J880.2

Automatic winding mechanism with ball-bearing

25 jewels

28,800 semi-vibrations per hour

46 hour power reserve

Anti-magnetic to DIN 8309

Shockproof: Incabloc

Spring: Nivarox II

Balance: Gold-plated nickel

Water resistance

Designation	Back of watch casing	face	User Information				Diving without equipment
			Washing, rain, splashes	Showering	Bathing	Swimming	
*	*	*	no	no	no	no	no
waterresistant 3 atm	*	*	yes	no	no	no	no
waterresistant 5 atm	*	*	yes	no	yes	no	no
waterresistant 10 atm	*	*	yes	yes	yes	yes	no

* no designation

The designation "water resistant" only applies to brand new watches. External influences can affect water resistance. Please have your watch checked regularly.

General information

- Servicing, such as repairs to the glass, seal or wriststrap should only be carried out by a specialist watch retailer.
- Please have the seals and the glass inspected regularly by an expert, approx. every 2 years.
- If condensation gets into your watch, have it inspected by the Customer Service Unit without delay. Penetration of moisture may damage the watch.
- Your watch is fitted with a quality wriststrap that has undergone multiple inspections in our factory. If, however, you decide to change the wriststrap, please fit a new one of the same quality, preferably an original Junghans wriststrap.
- Clean your watch and wriststrap with a dry or slightly moist, soft cloth. Caution: Do not use chemical cleaners (e.g. benzine or paint thinners). These may harm the surface.